



Established '51

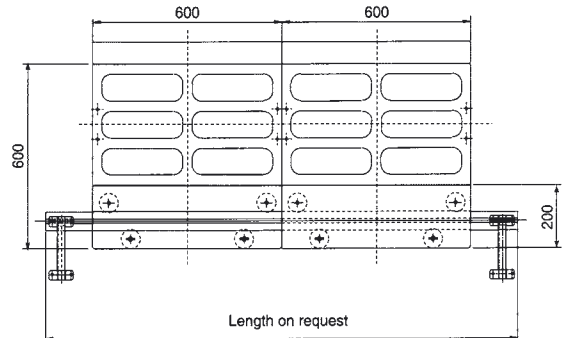
# PRODUCT DETAIL SHEET

## MACHINE GUARDING FOR SURFACE GRINDER MACHINES



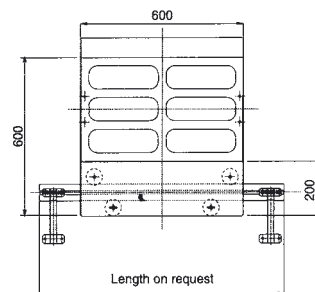
### MODEL PR/3

Universal safeguard, made of steel with mobile wing(s), shockproof transparent screen and safety micro switch.



### MODEL PR

Universal safeguard made of steel with single shockproof transparent wing, with safety micro switch.



MODEL	LENGTH	WIDTH	HEIGHT
PR/3	ON REQUEST	600	600
PR	600	600	600

All dimensions in mm.



Established '51

## RDM ENGINEERING

Stakehill Lane, Stakehill,  
Middleton, Manchester M24 2RY.  
Telephone: 0161 643 9333  
Fax: 0161 655 3467  
www.rdmengineering.co.uk



Established '51

# PRODUCT DETAIL SHEET

## MACHINE GUARDING FOR TURNING MACHINES

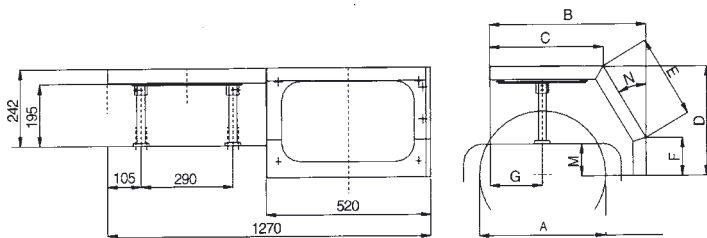


### MODEL MINOR AER L, MODEL MINOR SPECIAL L

Safety enclosure sliding on ball guides, to be fitted on the lathe's headstock. Made of steel sheet. The upper and the front sides are provided with large windows with polycarbonate screens to facilitate visibility into the work area. Complete with micro switch system and sliding halogen lamp.

MODEL	A	B	C	D	E	F	G	M	N
MINOR AER L	500	495	360	350	260	120	180	110	30°
MINOR SPECIAL L	500	600	400	450	400	100	200	180	30°

All dimensions in mm.



Established '51

## RDM ENGINEERING

Stakehill Lane, Stakehill,  
Middleton, Manchester M24 2RY.  
Telephone: 0161 643 9333  
Fax: 0161 655 3467  
[www.rdmengineering.co.uk](http://www.rdmengineering.co.uk)



Established '51

# PRODUCT DETAIL SHEET

## MACHINE GUARDING FOR TURNING MACHINES

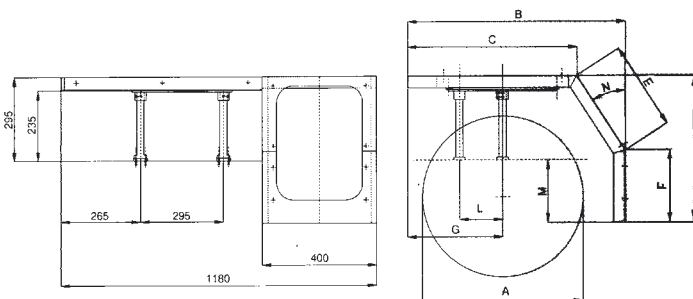


### MODEL ST MAJOR

Safety enclosure sliding on ball guides, for application on headstock of lathe. Made of steel sheets with polycarbonate screen. Complete with micro switch. Suitable to any kind of lathe due to double positioning possibility.

MODEL	A	B	C	D	E	F	G	L	M	N
ST MAJOR 700	600	765	590	505	345	210	335		210	30°
ST MAJOR 800	700	870	670	560	390	220	390		265	30°
ST MAJOR 1000	900	970	720	655	470	250	385		360	30°
ST MAJOR 1200	1100	1125	830	760	560	280	430		465	30°
ST MAJOR 1500	1400	1265	920	910	685	320	435	150	615	30°

All dimensions in mm.



Established '51

## RDM ENGINEERING

Stakehill Lane, Stakehill,  
Middleton, Manchester M24 2RY.  
Telephone: 0161 643 9333  
Fax: 0161 655 3467  
www.rdmengineering.co.uk



Established '51

# PRODUCT DETAIL SHEET

## MACHINE GUARDING FOR TURNING MACHINES

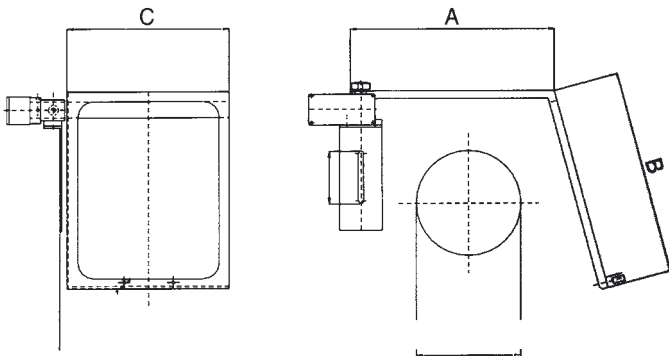


### MODEL IE TYPE

Protection screen for lathes, made of steel, polycarbonate or laminated glass, with safety micro switch.

MODEL	A	B	C
IE/A	280	300	260
IE/B	390	390	310

All dimensions in mm.



Established '51

## RDM ENGINEERING

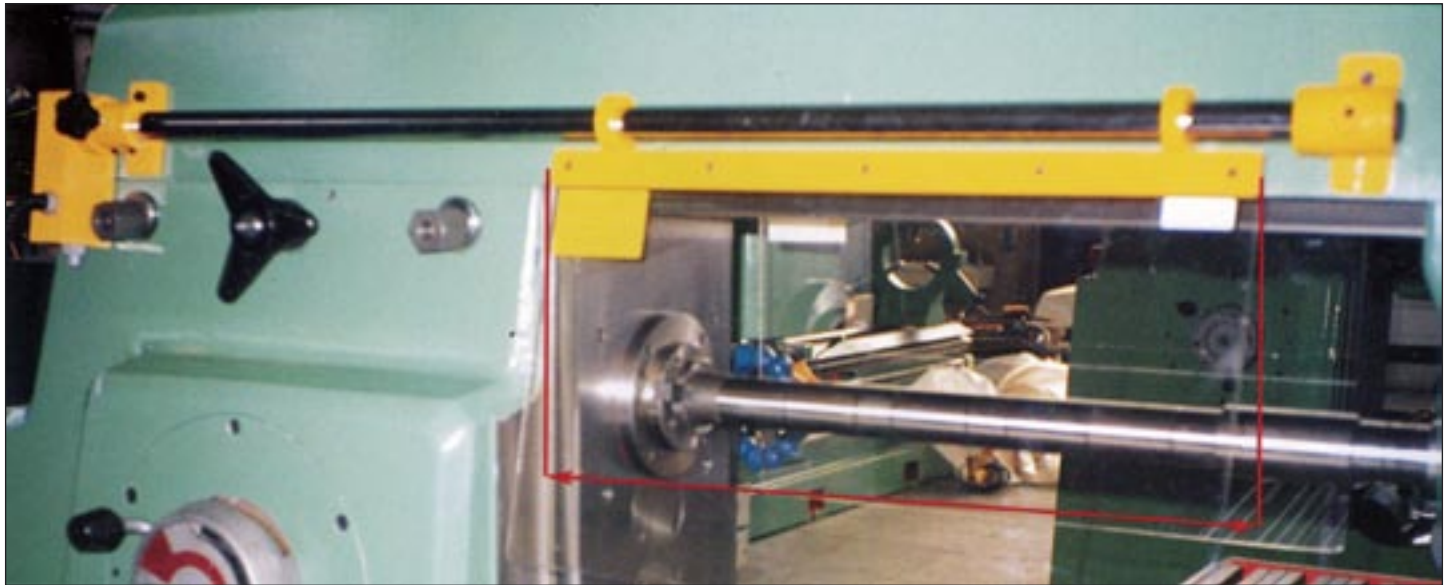
Stakehill Lane, Stakehill,  
Middleton, Manchester M24 2RY.  
Telephone: 0161 643 9333  
Fax: 0161 655 3467  
[www.rdmengineering.co.uk](http://www.rdmengineering.co.uk)



Established '51

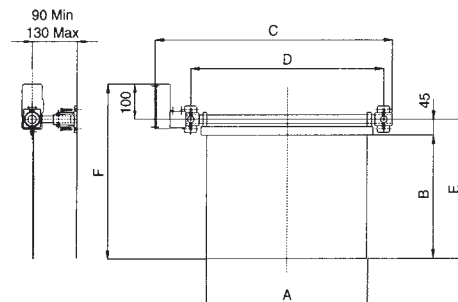
# PRODUCT DETAIL SHEET

## MACHINE GUARDING FOR MILLING MACHINES



### MODEL FR TYPE

Tiltable safeguard for horizontal milling machine, easily fitted. Made of transparent material, complete with micro switch, to be fitted to the machine side.



MODEL	A	B	C	D	E	F
FR/1	300	200	524	394	245	345
FR/2	400	200	624	494	245	345
FR/3	400	250	624	494	295	395
FR/4	400	300	624	494	345	445
FR/5	500	300	724	594	345	445
FR/6	600	350	924	694	395	495

All dimensions in mm.



Established '51

## RDM ENGINEERING

Stakehill Lane, Stakehill,  
Middleton, Manchester M24 2RY.  
Telephone: 0161 643 9333  
Fax: 0161 655 3467  
www.rdmengineering.co.uk



Established '51

# PRODUCT DETAIL SHEET

## MACHINE GUARDING FOR TURNING MACHINES

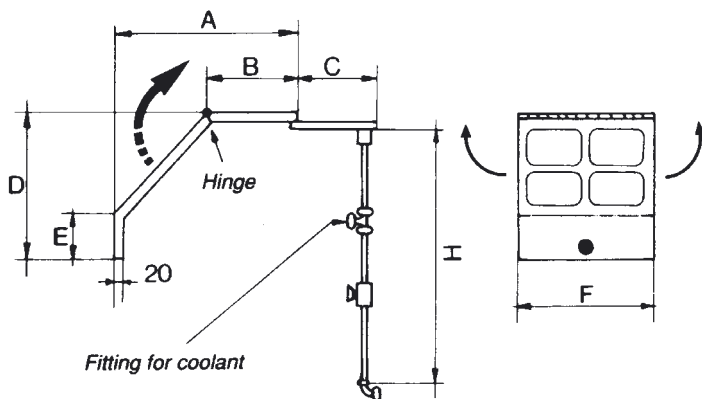


### MODEL TC TYPE

Mobile and swivelling safety guard to be fitted on the longitudinal carriage of the lathe. Steel frame with polycarbonate screen. Protection of operator against chips and coolant. Available either with or without cooling system and micro switch system. To be fitted on the rear side.

MODEL	A	B	C	D	E	F	H
TC/1	400	200	140	315	100	300	600
TC/2	570	260	200	365	150	350	600
TC/3	660	360	300	350	150	450	700

All dimensions in mm.



Established '51

## RDM ENGINEERING

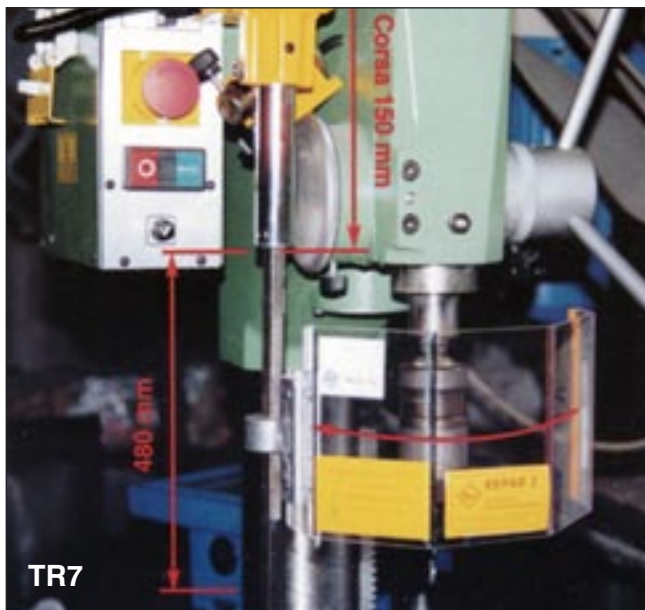
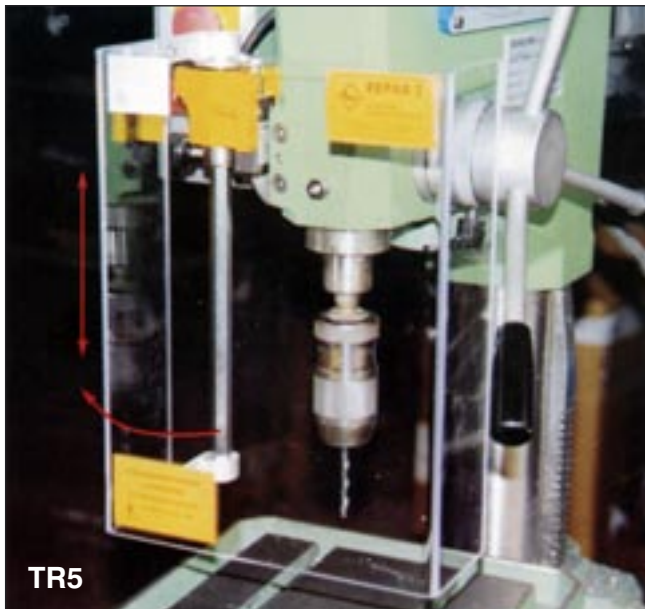
Stakehill Lane, Stakehill,  
Middleton, Manchester M24 2RY.  
Telephone: 0161 643 9333  
Fax: 0161 655 3467  
www.rdmengineering.co.uk



Established '51

# PRODUCT DETAIL SHEET

## MACHINE GUARDING FOR DRILLING MACHINES



### MODEL TR5 / TR6 TYPE

Safeguard for drilling machine with polycarbonate sheets, adjustable in height, complete with safety micro switch.

### MODEL TR7 TYPE

Safeguard for drilling machine with polycarbonate sheets, adjustable in height, with stroke of 150mm, complete with safety micro switch.

MODEL	TR5	TR6	TR7
WIDTH	230	170	200
HEIGHT	310	200	130

All dimensions in mm.



Established '51

## RDM ENGINEERING

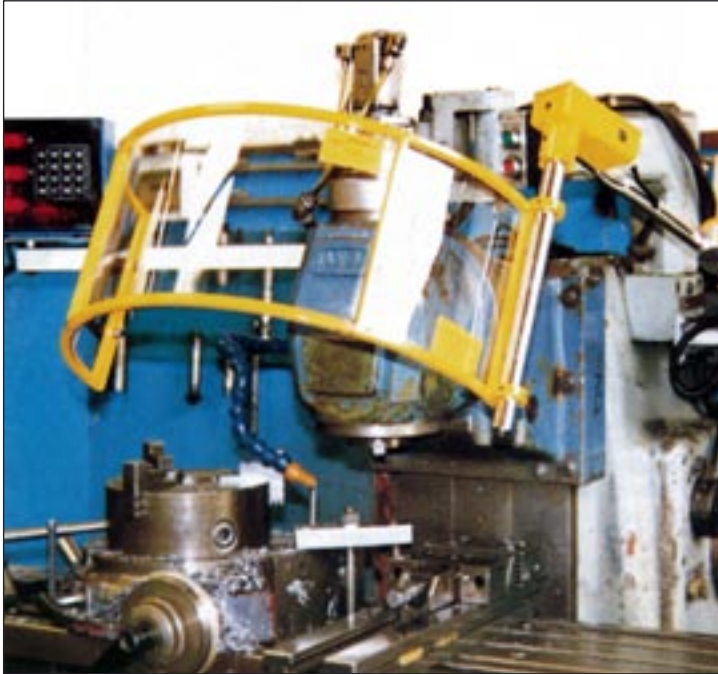
Stakehill Lane, Stakehill,  
Middleton, Manchester M24 2RY.  
Telephone: 0161 643 9333  
Fax: 0161 655 3467  
www.rdmengineering.co.uk



Established '51

# PRODUCT DETAIL SHEET

## MACHINE GUARDING FOR MILLING MACHINES



### MODEL FAB TYPE

Safeguards for milling machine having threefold safety micro switch. Fitted to an articulated arm, balanced and kept in position by gas spring, with steel pipe and polycarbonate hood. Available with or without lamp (20W) and right or left fixing.

MODEL	FAB 300	FAB 350	FAB 400	FAB 450	FAB 500	FAB 600
Ø	300	350	400	450	500	600
HEIGHT	240	240	240	240	240	240

All dimensions in mm.



Established '51

## RDM ENGINEERING

Stakehill Lane, Stakehill,  
Middleton, Manchester M24 2RY.  
Telephone: 0161 643 9333  
Fax: 0161 655 3467  
[www.rdmengineering.co.uk](http://www.rdmengineering.co.uk)